

# T8T *TeamC*

www.teamcracing.net

## SETUP SHEET for the TeamC T8T

Driver IAN HALEY

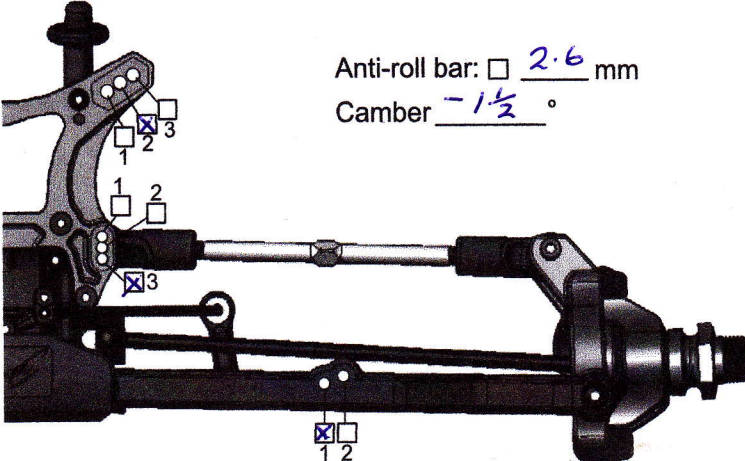
Track / City LOGAN CITY QLD.

Event BRICKYARD Date 13 / 11 / 11  
SPRING SERIES RND 10

**Track Condition**

Smooth     Bumpy     Low traction     Med traction     High traction  
 Sandy     Soft dirt     Grass     Hard soil     Clay     Wet     Dry     Dusty     Other

**Front Suspension Shock Mounting & Camber link**

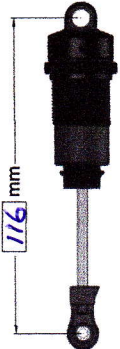


Anti-roll bar:  2.6 mm  
Camber -1 1/2 °

Ride height 37 mm

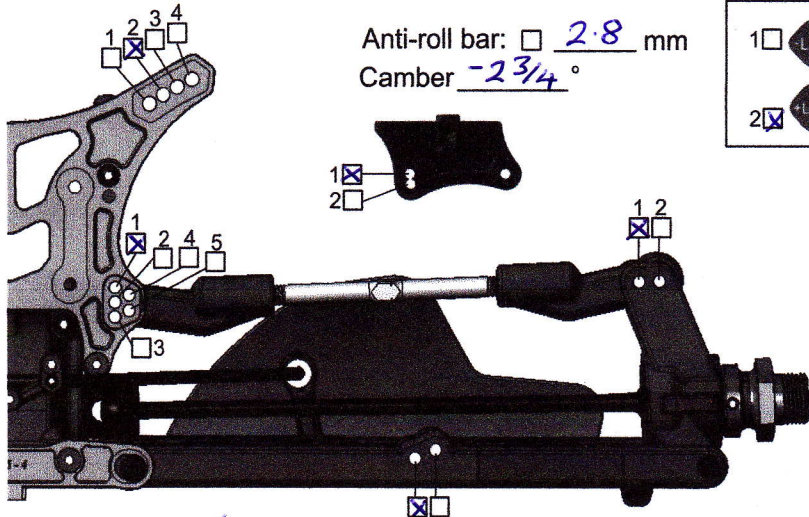
Degree 12 °

**Front Shocks**



Spring STD  
Oil 42 1/2 wt  
Piston # 621.4

**Rear Suspension Shock Mounting & Camber link**

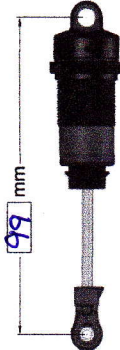


Anti-roll bar:  2.8 mm  
Camber -2 3/4 °

Ride height 40 mm

Wheelbase  
 Long  
 Medium  
 Short

**Rear Shocks**



Spring STD  
Oil 42 1/2 wt  
Piston # 621.4

**Tires**

Brand VP PRO - CUTOFF  
Compound ULTRA  
Insert STD    **Front**  
Wheel STD

Brand VP-PRO - CUTOFF  
Compound ULTRA  
Insert STD    **Rear**  
Wheel STD

**Note** \_\_\_\_\_

**Diff**

Brand \_\_\_\_\_  
Oil wt 7000    **Front**

Brand \_\_\_\_\_  
Oil wt 7000    **Center**

Brand \_\_\_\_\_  
Oil wt 3000    **Rear**

**Motor**

Engine JS RACING  
Glow plug P3  
Spur 48T  
Pinion 13T  
Fuel NITRO X HP173  
Clutch VP PRO  
Pipe VP PRO RS4

**Note** \_\_\_\_\_